



Nelson Manufacturing Company
3049 12th Street SW • Cedar Rapids, IA 52404 U.S.A.
Phone: 319-363-2607 • Fax 319-363-3601
Monday-Friday 8:00-4:30 CST

To place an order call:
Phone: 888-844-6606
www.nelsonmfg.com



Installation Instructions - Series 500se Nelson Horse Feeders



540se Wall Mount



560se Corner Mount

1. Location

Install feeders away from automatic waterers to reduce the amount of feed that is dropped in waterer. Mounting feeder near or in a corner helps protect feeder from knocks and kicks. Mount feeders at a height where it is comfortable for animal to eat yet difficult for animal waste to drop in feeder.

2. Mounting Surface

Feeders should be mounted on firm, level wall or fence free of sharp corners and edges. Feeders (without feed) weigh approximately 25 lbs. Wall or fence must be strong enough to support feeder. Mounting surface must be flat and/or square or housing will become distorted when bolted down. To level feeder and prevent distortion, shim between housing and mounting surface. Distorted housings will not open and close properly.

3. Bolt To Mounting Surface

Use feeder housing as template to mark bolt holes on wall. There are four 1/2" diameter mounting holes on feeder. Bolt feeders to wall using 1/2" Carriage Bolts. Nelson Accessory 1010W includes the Carriage Bolts, nuts and washers you need to mount feeder to wall. Call Nelson direct to order bolt pack. Do not use sharp screws to mount feeder. These may become dislodged and injure animal.

4. Removing Cover

Use one hand to press down on top cover casting while using the thumb of the other hand to slide brass latch button open. Hold latch open with your thumb and, with your other hand, twist and lift cover off of Model 560. If Model 540se, lift up and pull forward on cover.

5. Cleaning Bowl

Feed bowl should be cleaned daily if possible. Soap and warm water work well. To remove mineral deposits on bowl, soak bowl overnight in a 50% white vinegar and 50% water solution and wipe clean. Soak longer if necessary.



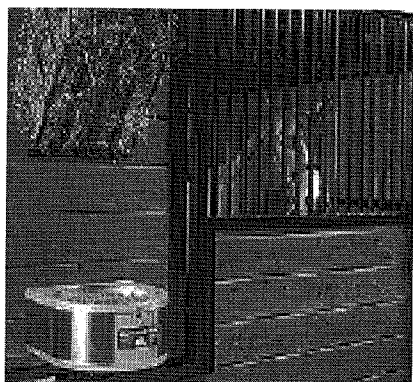
Nelson Manufacturing Company
 3049 12th Street SW • Cedar Rapids, IA 52404 U.S.A.
 Phone: 319-363-2607 • Fax 319-363-3601
 Monday-Friday 8:00-4:30 CST

To place an order call:
Phone: 888-844-6606
 www.nelsonmfg.com



Parts List Model 540se

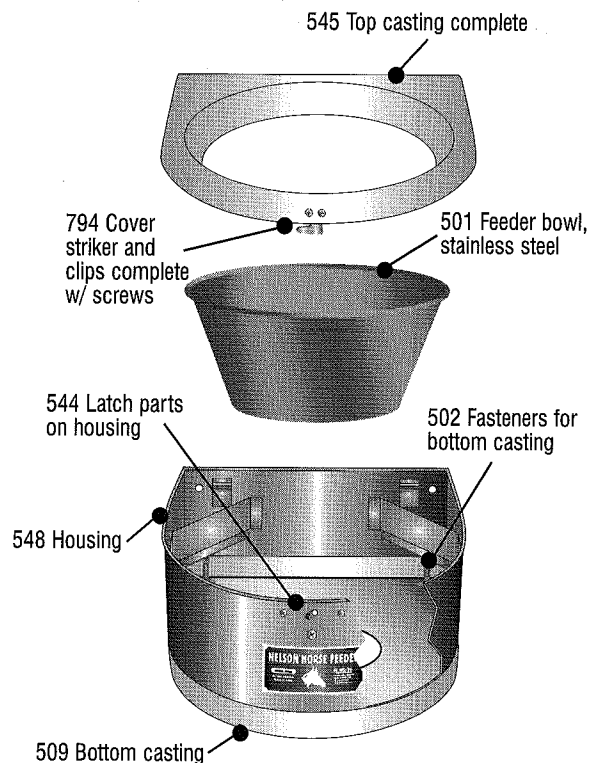
| Part # | Description |
|--------|--|
| 548 | Housing, u-shaped, stainless steel |
| 545 | Top casting complete, includes part #794 |
| 544 | Latch parts on housing, complete |
| 509 | Bottom casting complete, includes part #502 |
| 794 | Cover striker and clips complete w/ screws |
| 501 | Feeder bowl, stainless steel |
| 502 | Fasteners for bottom casting-pins, washers & springs |



Mounts on most swing out doors.



Fence mount in pasture

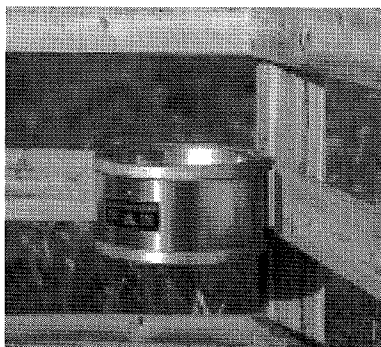


Parts List Model 560se

| Part # | Description |
|--------|--|
| 568 | Housing, round, stainless steel, w/ brackets |
| 566 | Top cover complete, includes part #734 |
| 569 | Bottom casting complete, includes part #502 |
| 564 | Latch parts on housing, complete |
| 734 | Cover clips complete w/screws |
| 501 | Feeder bowl, stainless steel |
| 502 | Fasteners for bottom casting-pins, washers & springs |



Corner mount in stall



Corner mount in pasture

